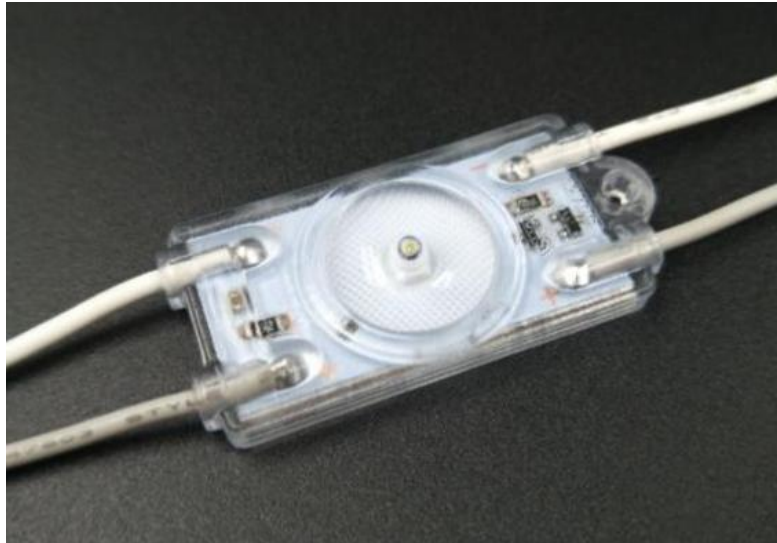


LED Module for advertising signage, lighting box

--175°Viewing Angle



◆ Features

- ◇ Take 3030/2835 LED as light source, make the color uniform, good consistency;
- ◇ Die-casted shell molding process, good and unique appearance. And good heat dissipation effect and can reach IP65
- ◇ High efficiency chip, high brightness and reliability
- ◇ Long life span
- ◇ DC12V Low voltage input. Constant voltage design. environment friendly
- ◇ 30pcs modules a string. Using a series-parallel mixed design. You can cut at random module.

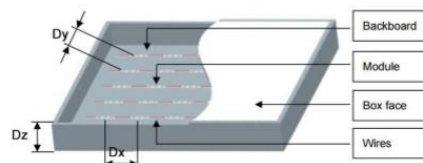
◆ Applications

Widely used in 6 ~ 25 cm the thickness of the advertising signage, lighting box

Depth(mm)	Distance(mm)	Density(pcs/m ²)	Illumination(lux)
Dz=60	Dx=130 Dy=90	85	4000-4500
Dz=80	Dx=150 Dy=90	74	3500-4000
Dz=100	Dx=180 Dy=90	62	3000-3500
Dz=120	Dx=180 Dy=90	62	2500-3000
Dz=150	Dx=180 Dy=90	62	2000-2500

Remark:

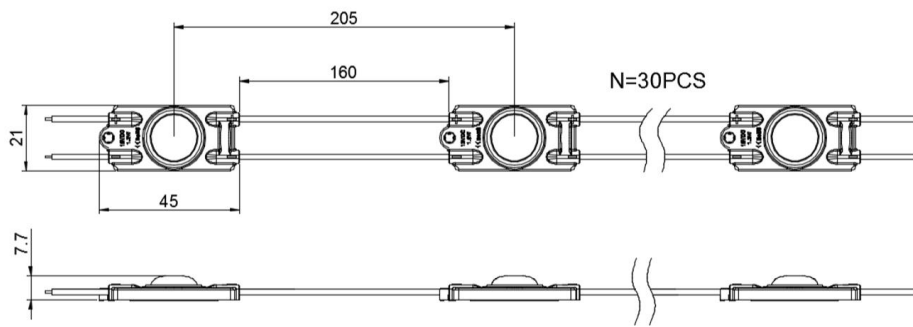
- The transmittance of the Acrylic was 56%.
- The above data is for reference only.



◆ Parameters

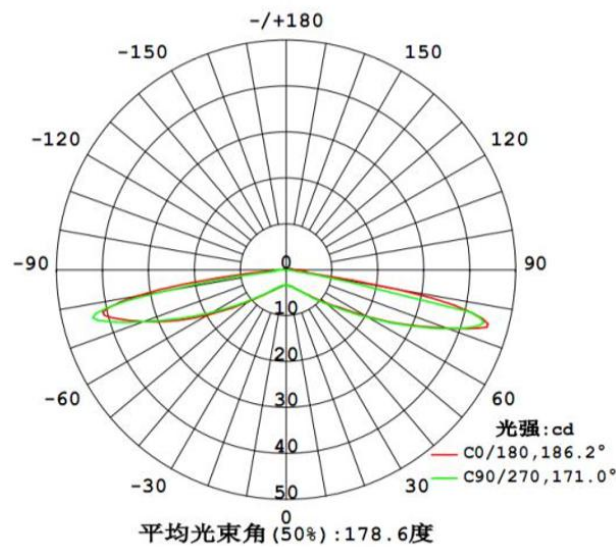
Part No.	Led Type	Led Color	CCT	Luminous	CRI	Working Voltage	Power	Viewing Angle
GM4521-1W2835	2835	white	7500k	110	RA>80	DC12V	1.2W	175 °

◆ **Dimensions (mm)**



Unit: mm

◆ **Lighting Distribution Curve**



◆ **Package information:**

30pcs modules per chain; 2chains per anti-static bag; 25bags per carton; Total 1500pcs in one carton.

Carton size: 46*27.5*28.5cm; N.W: 14.5±5%Kg; G.W: 15.5±10%Kg

◆ **Attentions**

- ✧ Maximum number of the modules per chain is 30 pcs if power to single end.
- ✧ The parameters may change as the material of lighting box or channel letters.
- ✧ The Led modules including its relate components can't be mechanically pressed.
- ✧ Please make sure the power supply is enough to operate the total load.
- ✧ Only professionals can tear down, install or maintain LED modules.
- ✧ All tools used for installation need meet anti-flame rules.
- ✧ Power supply should have short circuit and over load protection.and total power should be less than rated power 80% of that power.
- ✧ Working temperature: -25~55℃.

